



PI 6 - 6mm

Pitot assembly Tube + pressure sensor

Range	50 to 76 mBars 0.72 to 1.10 Psi
Accuracy	± 1 % FS
Sensitivity	See calibration table
Gravity sensitivity	1 mV/g
Cut off frequency	200 Hz
Offset	0.5 +/- 0.1 V

Supply voltage	5 to 16V
Supply current	2 mA
Output voltage	0 - 5 V
Output Impedance	47 Ω

Offset drift (20 to 80°C)	20 mV
Sensitivity drift (20 to 80°C)	1 %

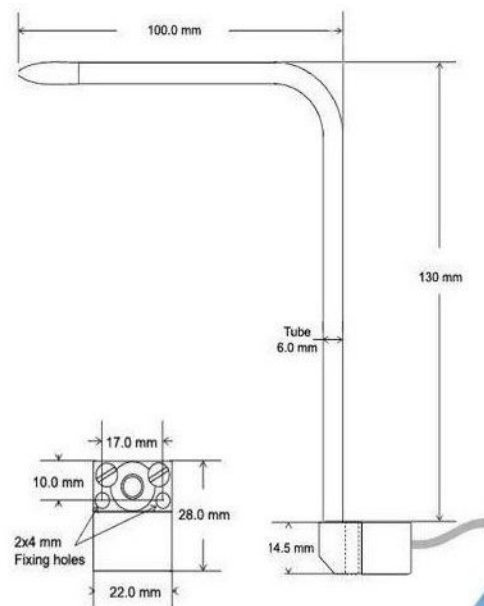
Dimension	28x22x14.5 mm Tube ø6mm 130x100 mm
Material	Aluminium + stainless steel tube
Weight	70 g

Vibration test	20 Gpp 5'
Shock	500 G

Operating temp	0 to +85 °C
Storage temp	-20 to +125 °C

Max Air speed at 25°C ambient temperature and 1000 HPa atmospheric pressure		
50 mB	70mB	76mB
333 km/h	394 km/h	410 km/h

Calibration table			
50 mB 0.725 Psi	0°5 @ 0	4°5 @ 500mmH ₂ O	8 mV/mmH ₂ O
70 mB 1.01 Psi	0°5 @ 0	4°5 @ 700mmH ₂ O	5,7 mV/mmH ₂ O
76 mB 1.10 Psi	0°5 @ 0	4°5 @ 760mmH ₂ O	5,3 mV/mmH ₂ O



1 m cable of 3X26AWG FEP
tinned copper braided cable 250V 200°C

Ordering ref	ex: PI-6-70
PI - 6 - Range mB - Length mm*	
50	
70	
76	

*Option: PI-6 tube up to 300 mm

Red	Supply
White	Signal
Blue (or Black)	0 V
Braid	Connected to case